

**FM/AM COMPACT STEREO
with CASSETTE TAPE RECORDER**

MODEL ST-3440

SERVICE MANUAL

No. 736

1975

SPECIFICATIONS

TUNER AND AMPLIFIER SECTION

RADIO CIRCUIT SYSTEM ... FM/AM superheterodyn
TUNING RANGE FM : 88~108 MHz
 AM : 530~1,605 kHz
INTERMEDIATE FM : 10.7 MHz
FREQUENCY AM : 455 kHz
SENSITIVITY FM : $2\mu\text{V/m}$ (1HF S/N 30dB)
 AM : $300\mu\text{V/m}$ (1HF S/N 20dB)
AMPLIFIER FREQUENCY ... 50~15,000 Hz
RESPONSE
AUDIO OUTPUT 5W×2 (Mini. RMS, at 8Ω , from
 100 Hz to 15,000 Hz, with no
 more than 5% THD)
ANTENNA FM : Line cord or external
 antenna
 AM : Ferrite-core antenna
OUTPUT IMPEDANCE 100 k Ω (REC. OUT)
 8 Ω (SPEAKER)

INPUT IMPEDANCE 1,500 k Ω (AUX. IN)

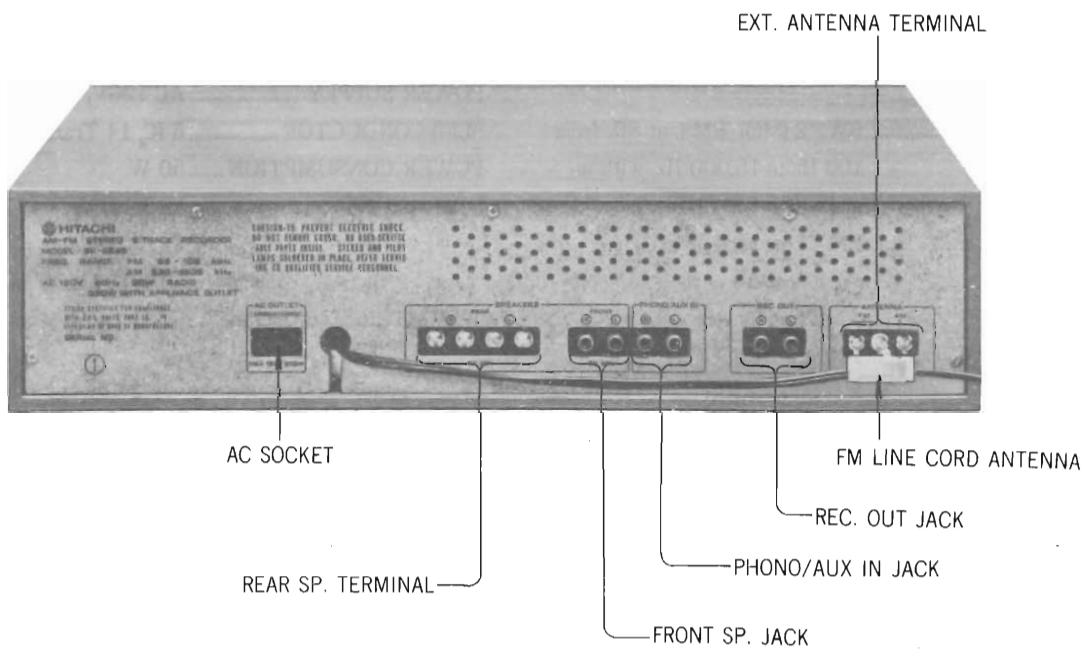
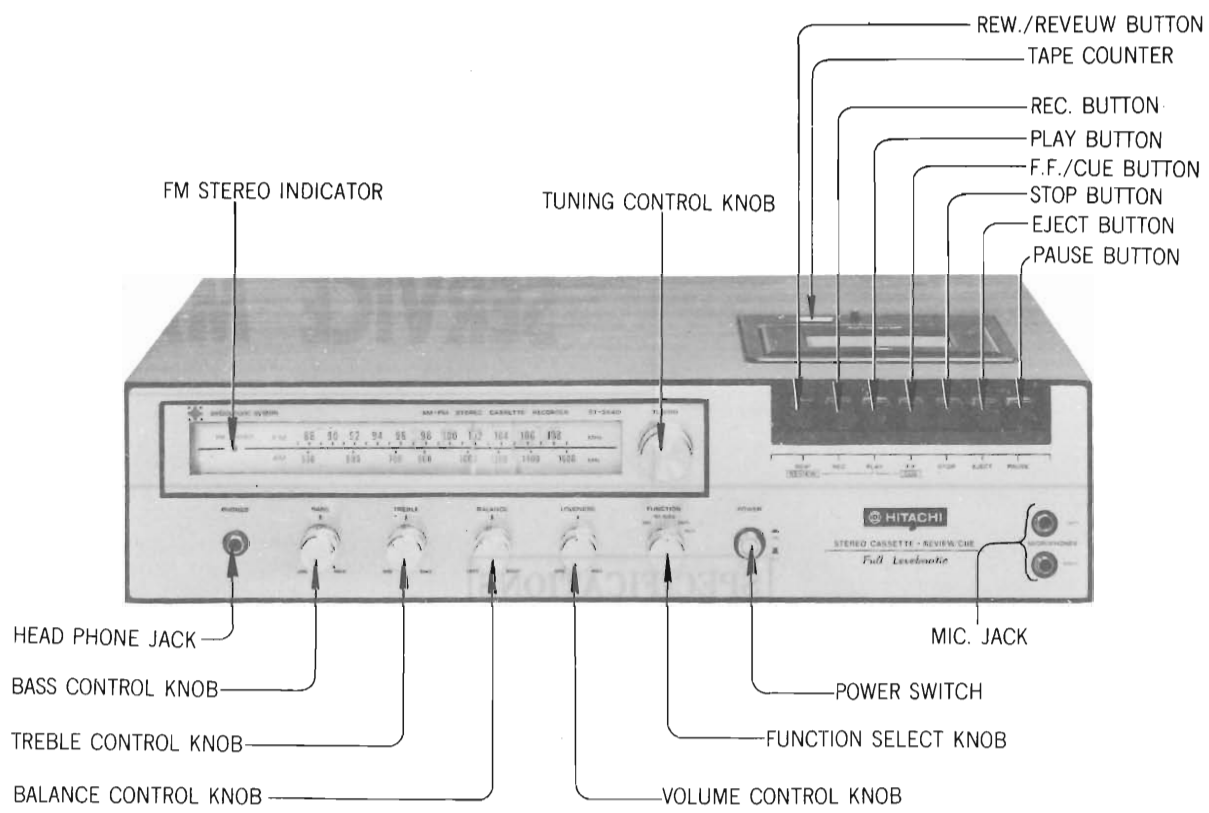
TAPE DECK SECTION

CARTRIDGE TAPE Compact cassette tape
TAPE SPEED 1-7/8 ips (4.75cm/s)
TRACK SYSTEM Stereo 4 track
FREQUENCY RESPONSE ... 70~12,000 Hz
RECORDING SYSTEM AC bias
ERASING SYSTEM AC erase

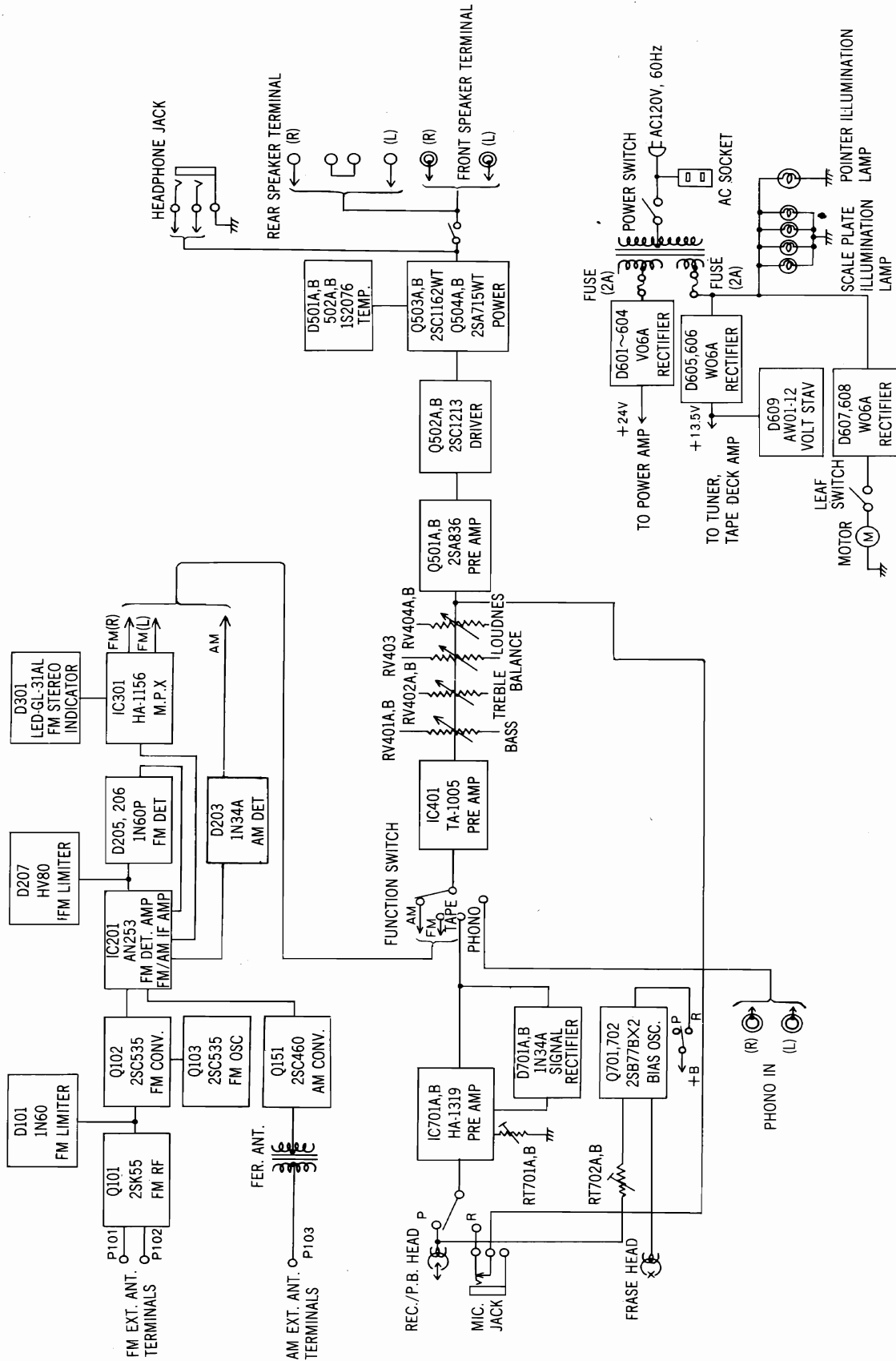
GENERAL SECTION

POWER SUPPLY AC 120V, 60 Hz
SEMI-CONDUCTOR 5 IC, 14 Transistor, 21 Diode
POWER CONSUMPTION 50 W
DIMENSIONS $19\text{-}5/16^{\circ}$ (W)× $4\text{-}13/16^{\circ}$ (H)×
 $11\text{-}13/16^{\circ}$ (D)
 (49×12.1×30 cm)
WEIGHT 57 kg (12 lb 9 oz)

CONTROLS

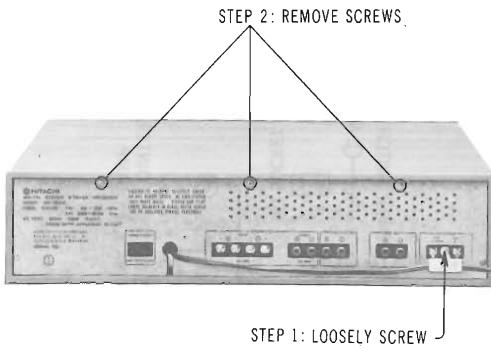


BLOCK DIAGRAM

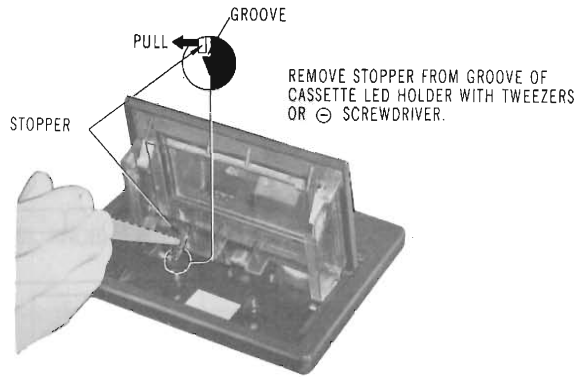


DISASSEMBLY

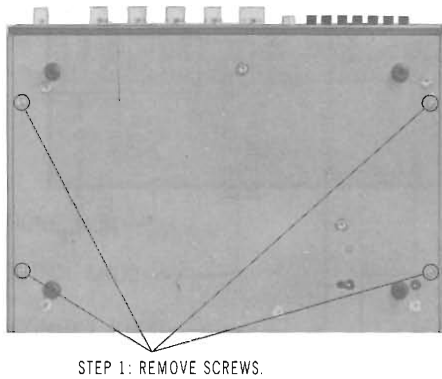
1. Removal of REAR COVER



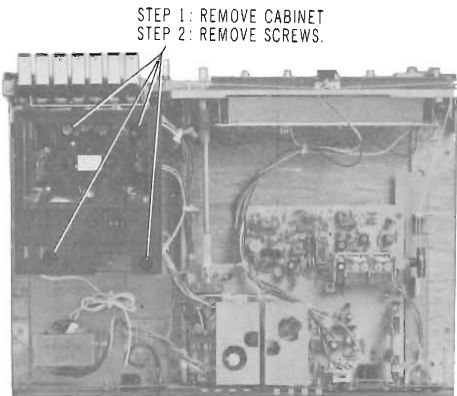
2. Removal of CASSETTE LID



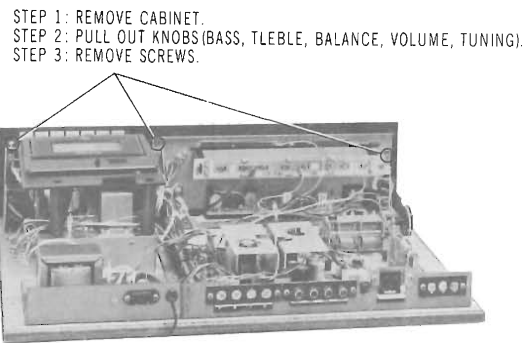
3. Removal of CABINET



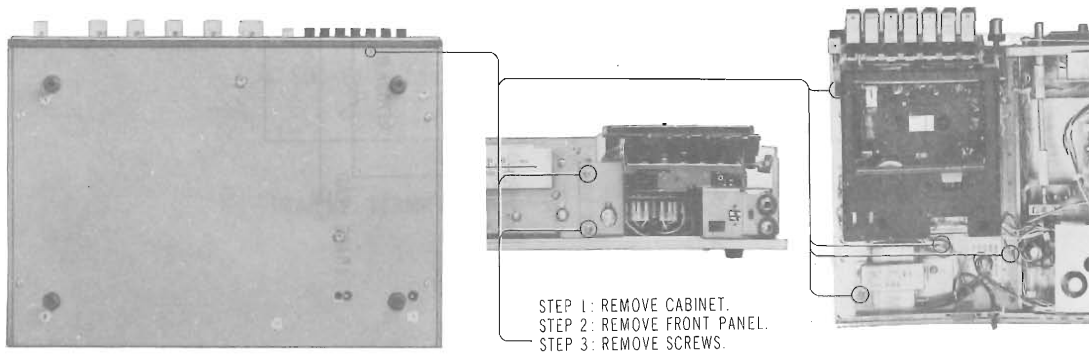
4. Removal of CASSETTE PANEL



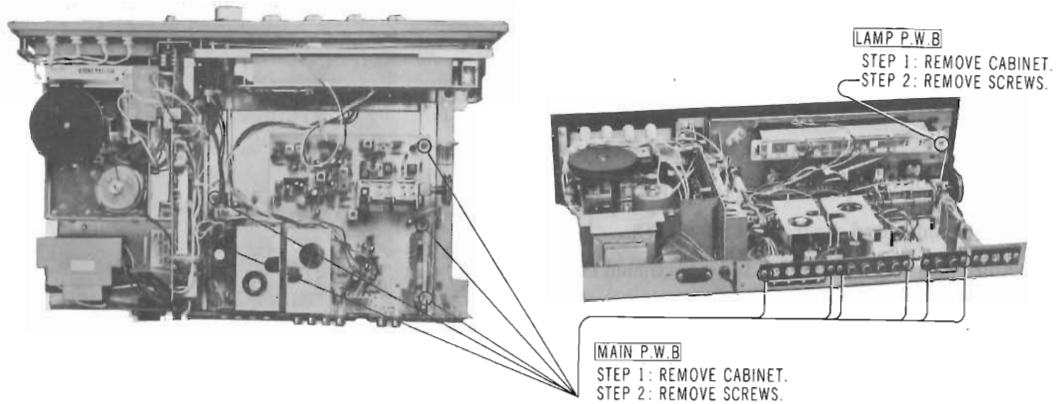
5. Removal of FRONT PANEL



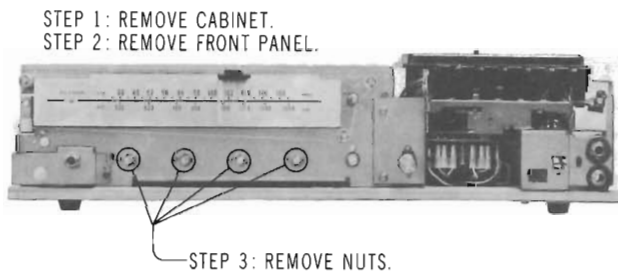
6. Removal of CASSETTE DECK ASSEMBLY



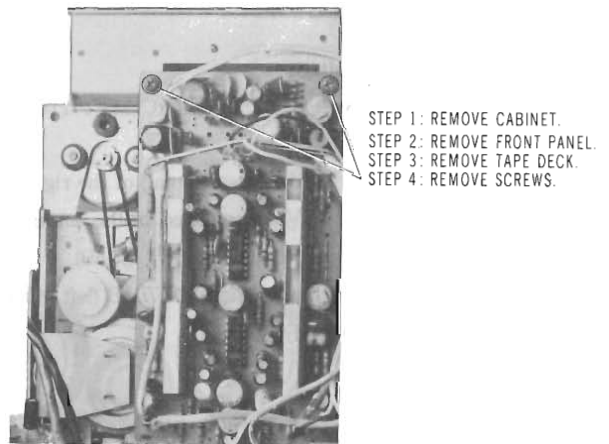
7. Removal of MAIN P.W.B, LAMP P.W.B



8. Removal of CONTROL P.W.B



9. Removal of TAPE DECK P.W.B



LUBRICATIONS

One or two drops of machine oil may be applied to the points (M) (rotating parts) and grease may be applied to the points (G) (sliding surfaces) as shown in Figs. 1 and 2.

(M) machine oil (G) grease

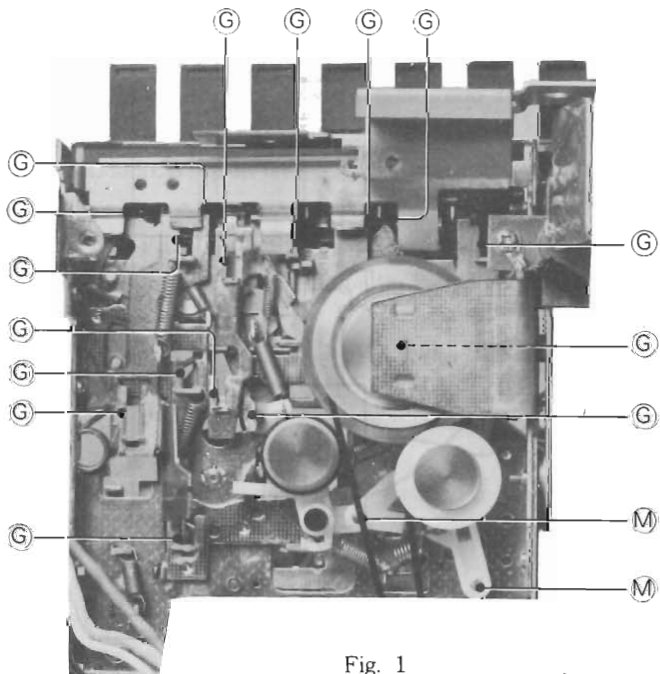


Fig. 1

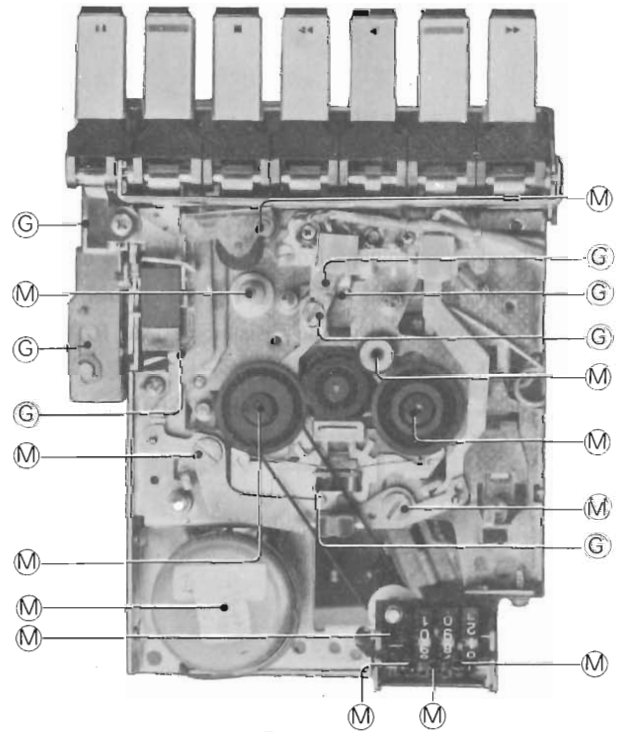


Fig. 2

ADJUSTMENT

1. ADJUSTMENT OF CASSETTE TAPE PLAYER (FOR ST-3440)

(1) Adjustment of HEAD AZIMUTH

- ① Load instrument with test tape TEAC-MTT-116L (or equivalent).
- ② Observe the output (10kHz tone signal) of the right and left channel with a VTVM connected to the output terminals (See circuit board diagram of ST-3440)
- ③ Adjust azimuth screw (See Fig. 3) for maximum output.

AZIMUTH ADJUSTMENT SCREW

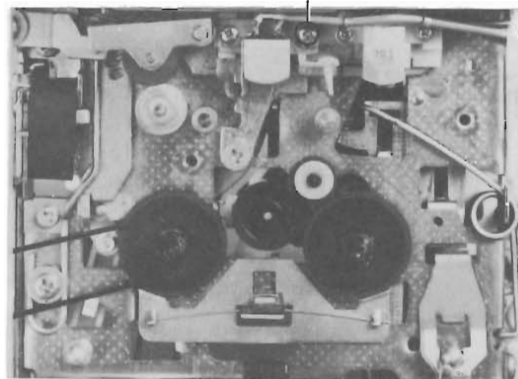


Fig. 3

(2) Adjustment of output voltage

- ① Load instrument with test tape TEAC-MTT-116L (or equivalent).
- ② Observe the output (333Hz tone signal) of the right and left channel with a VTVM connected to the output terminals (See circuit board diagram of ST-3440).
- ③ Adjust RT701A (right channel), RT701B (left channel) for 250mV output (See Fig. 4).

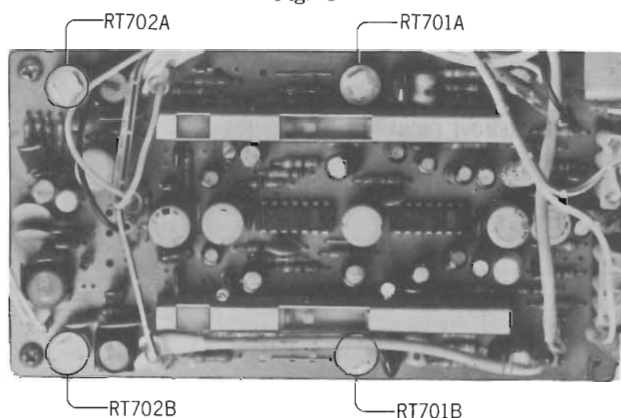


Fig. 4

(3) Adjustment of bias current

- ① Set up the REC. mode.
- ② Observe the voltage drop at the both ends of resistor R704A (right channel), R704B (left channel) with a VTVM connected to the resistor R704A, R704B (See Fig. 5).
- ③ Adjust RT704A (right channel), RT704B (left channel) for 5mV (See Fig. 4).

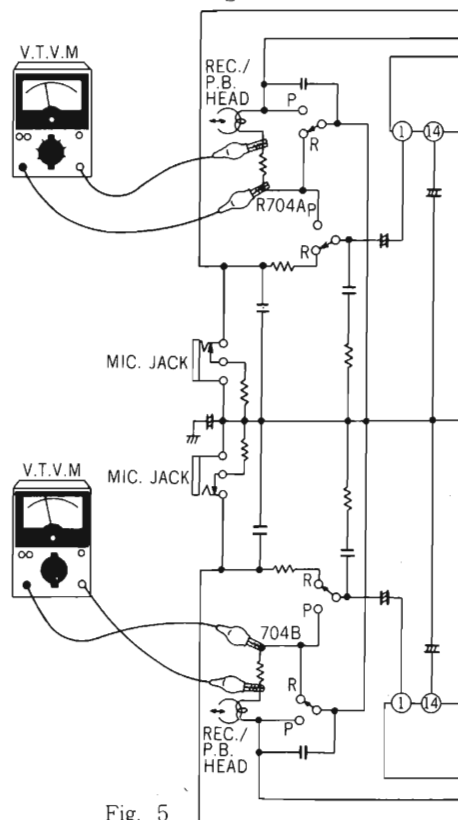


Fig. 5

(4) CHECK OF MECHANICAL

1) Pressure of pinch roller to capstan in play mode.

- ① In FWD mode, hook a spring scale to the pinch roller as shown in Fig. 6.
- ② Take a reading only when the pinch roller is pulled backward by the spring scale and then start to return towards the capstan, because the force required to overcome the static friction will produce a falso and excessively high initial readings.
- ③ The reading should be 270 to 370g.
If necessary check and replace the pinch roller ass'y.
To increase the pressure: hook the spring in hole A.
To reduce the pressure: hook the spring in hole C.

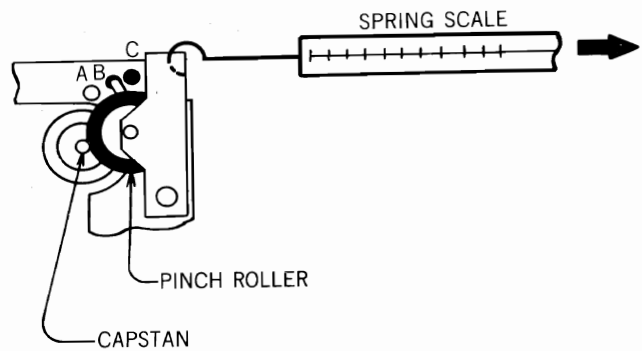


Fig. 6

2) Pressure of take-up pulley and turn table in play mode

- ① In PLAY mode, hook a spring scale to the take-up pulley as shown in Fig. 7.
- ② Stop the rotating of motor and take a reading only when the take-up pulley is pulled backward by the spring scale.
- ③ The reading should be 50 to 120g.

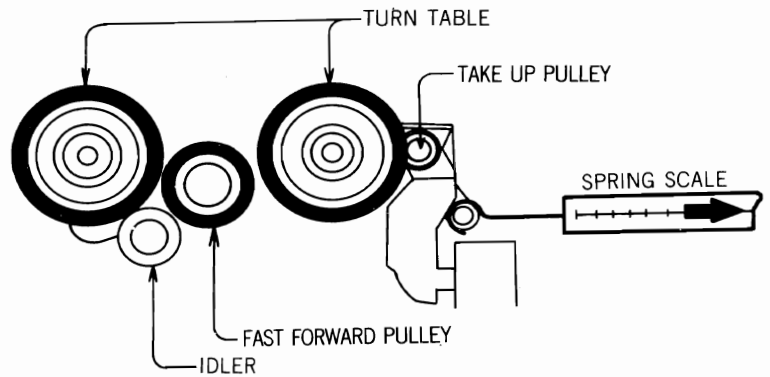


Fig. 7

3) Pressure of fast forward pulley and turn table in rew. mode.

- ① In REW. mode, hook a spring scale to the fast forward pulley as shown in Fig. 8.
- ② Stop the rotating of motor and take a reading only when the fast forward pulley is pulled backward by the spring scale.
- ③ The reading should be 90 to 200g.

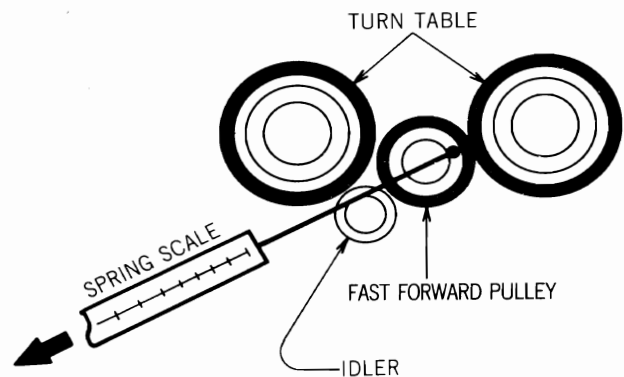


Fig. 8

4) Pressure of fast forward pulley and flywheel in rew. mode.

- ① In REW. mode, hook a spring scale to the fast forward pulley as shown in Fig. 9.
- ② Stop the rotating of motor and take a reading only when the fast forward pulley is pulled backward by the spring scale.
- ③ The reading should be 60g.

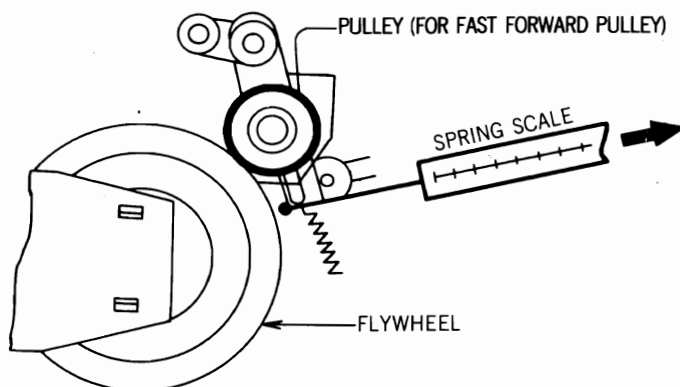


Fig. 9

5) Pressure of fast forward pulley and idler in f.f. mode.

- ① In F.F. mode, hook a spring scale to the fast forward pulley as shown in Fig. 10.
- ② Stop the rotating of motor and take a reading only when the fast forward roller is pulled backward by the spring scale.
- ③ The reading should be 80g.

6) Pressuer of fast forward pulley and flywheel in f.f. mode

- ① In F.F. mode, hook a spring scale to the fast forward pulley as shown in Fig. 9.
- ② Stop the rotating of motor and take a reading only when the fast forward pulley is pulled backward by the spring scale.
- ③ The reading should be 150g.

7) Torque of turn table.

- ① Take up torque 40 to 70g-cm.
- ② Rewind torque 80g-cm or more.
- ③ Fast forward torque 80g-cm or more.

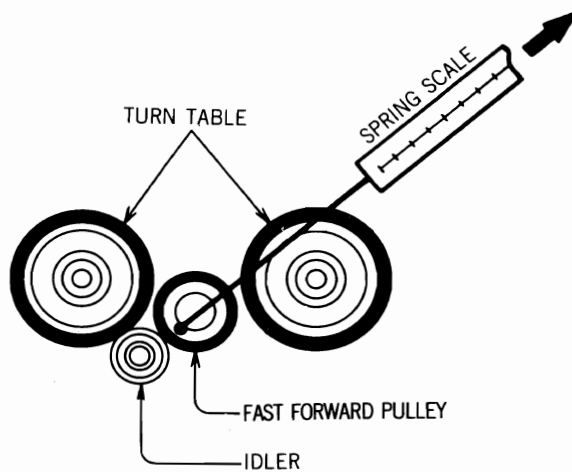
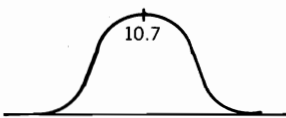
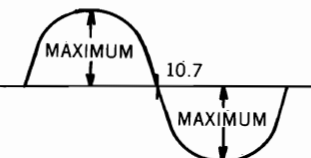


Fig. 10

TUNER CIRCUIT ADJUSTMENT

Before adjustment

1. Set knobs (BASS, TLEBLE, VOLUME) fully clockwise.
2. Set BALANCE CONTROL KNOB to center.
3. Set FUNCTION KNOB to adjustment position.
4. Disconnect speaker cord from speaker jack.

Step	Adjustment circuit	Connection	Signal or sweep generator	Pointer position	Adjustment part (See Fig. 11)	How to adjust	
FM CIRCUIT							
	FM-IF				T203, T102, T202	① Turn core (T203) fully clockwise. ② Adjust core (T102,T202) to be this waveform. <div style="text-align: center; margin-top: 10px;">  </div>	
	FM-DISCRI	Fig. 12	$10.7 \pm 1\text{MHz}$	High freq. end	T203, T202	① Adjust core (T203) for symmetrical sine wave. ② Adjust core (T202) for maximum output. <div style="text-align: center; margin-top: 10px;">  </div>	
	FM-RF	Covering				Adjust core for maximum output.	
			Fig. 14	87 MHz	Low freq. end		L102
				109 MHz	High freq. end		CT103
		Tracking		90 MHz	90 MHz		T101, L101
			106 MHz	106 MHz	CT101, CT102	Adjust core for maximum output.	
AM CIRCUIT							
	AM-IF			High freq. end	455 kHz	T151, T201	
	AM-RF	Covering		Low freq. end	520 kHz	L152	
			Fig. 13	High freq. end	1,650 kHz	CT105	
				600 kHz	600 kHz	L151	
		Tracking		1,400 kHz	1,400 kHz	CT104	
						Adjust core for maximum output.	

INTERNAL VIEW

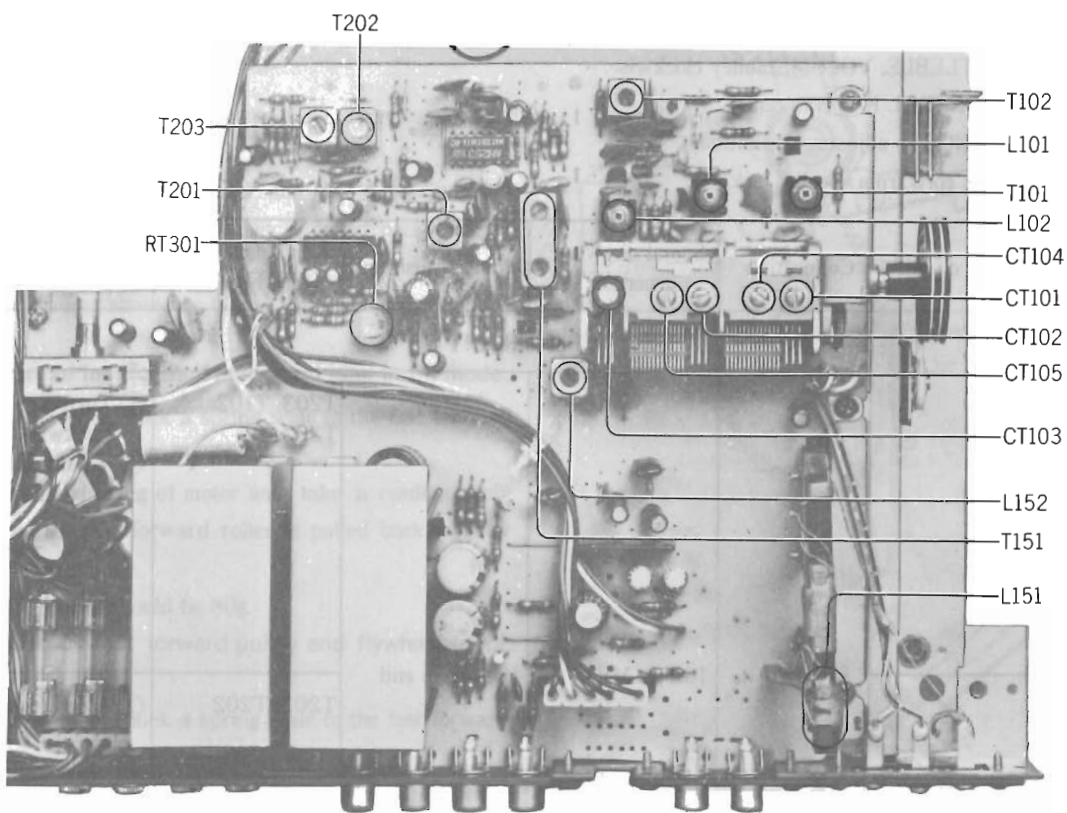
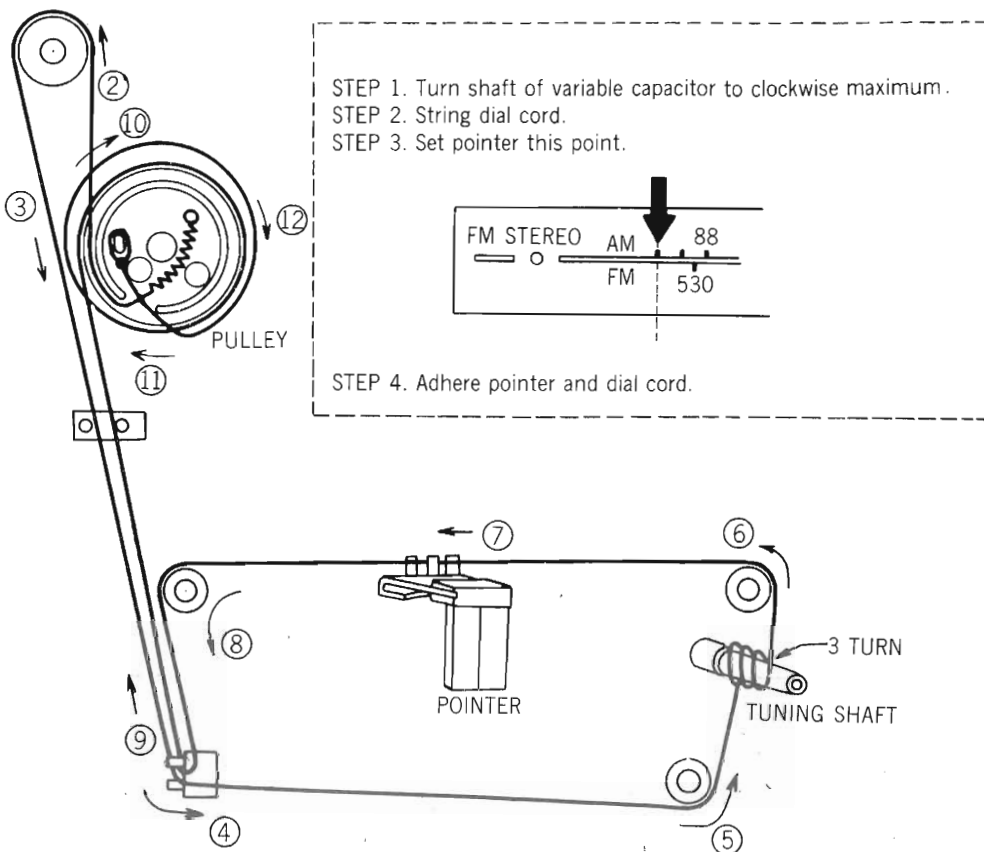


Fig. 11

DIAL CORD STRINGING



CONNECTION

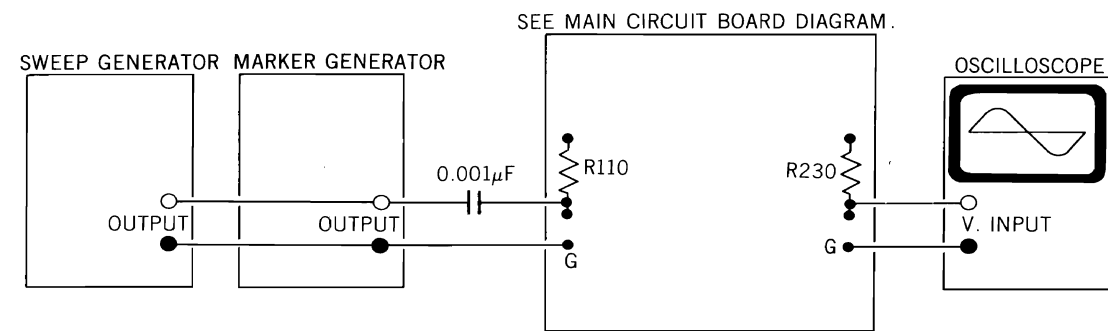


Fig. 12

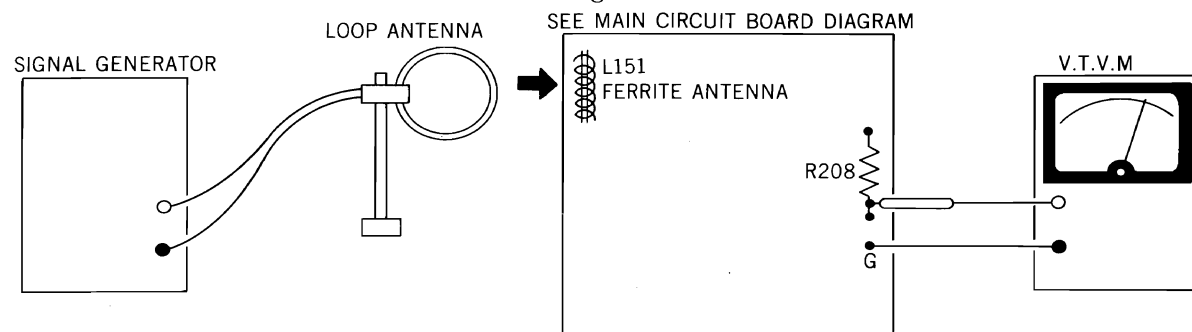


Fig. 13

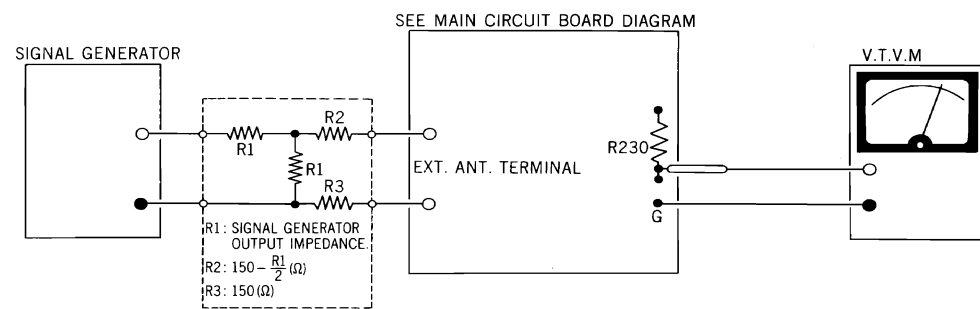


Fig. 14

(2) Adjustment of FM multiplex circuit.

- (1) Connect short clip for No. 2 terminal of IC301 and ground as shown in Fig. 15.
- (2) Connect a frequency counter to P301 and ground as shown in Fig. 15.
- (3) Adjust RT301 for 19KHz on the frequency counter reading.

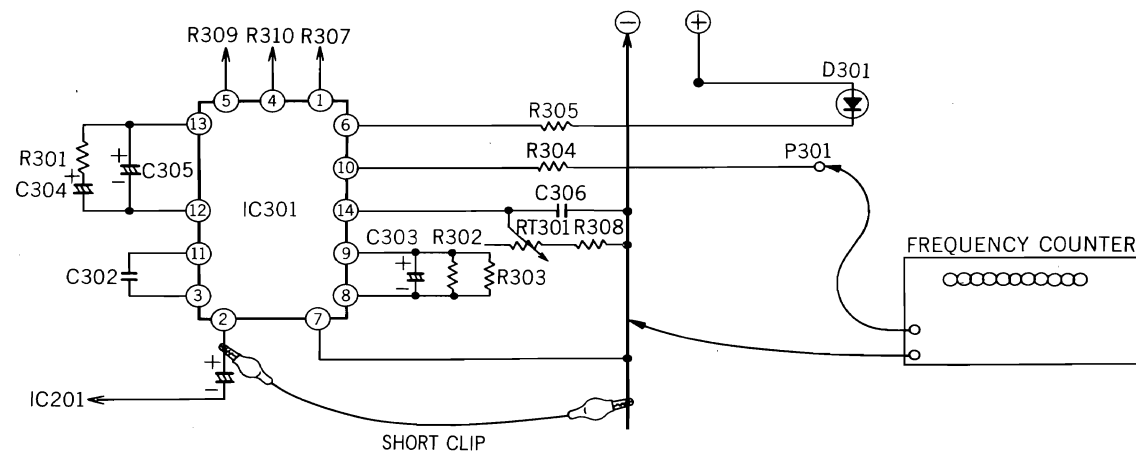
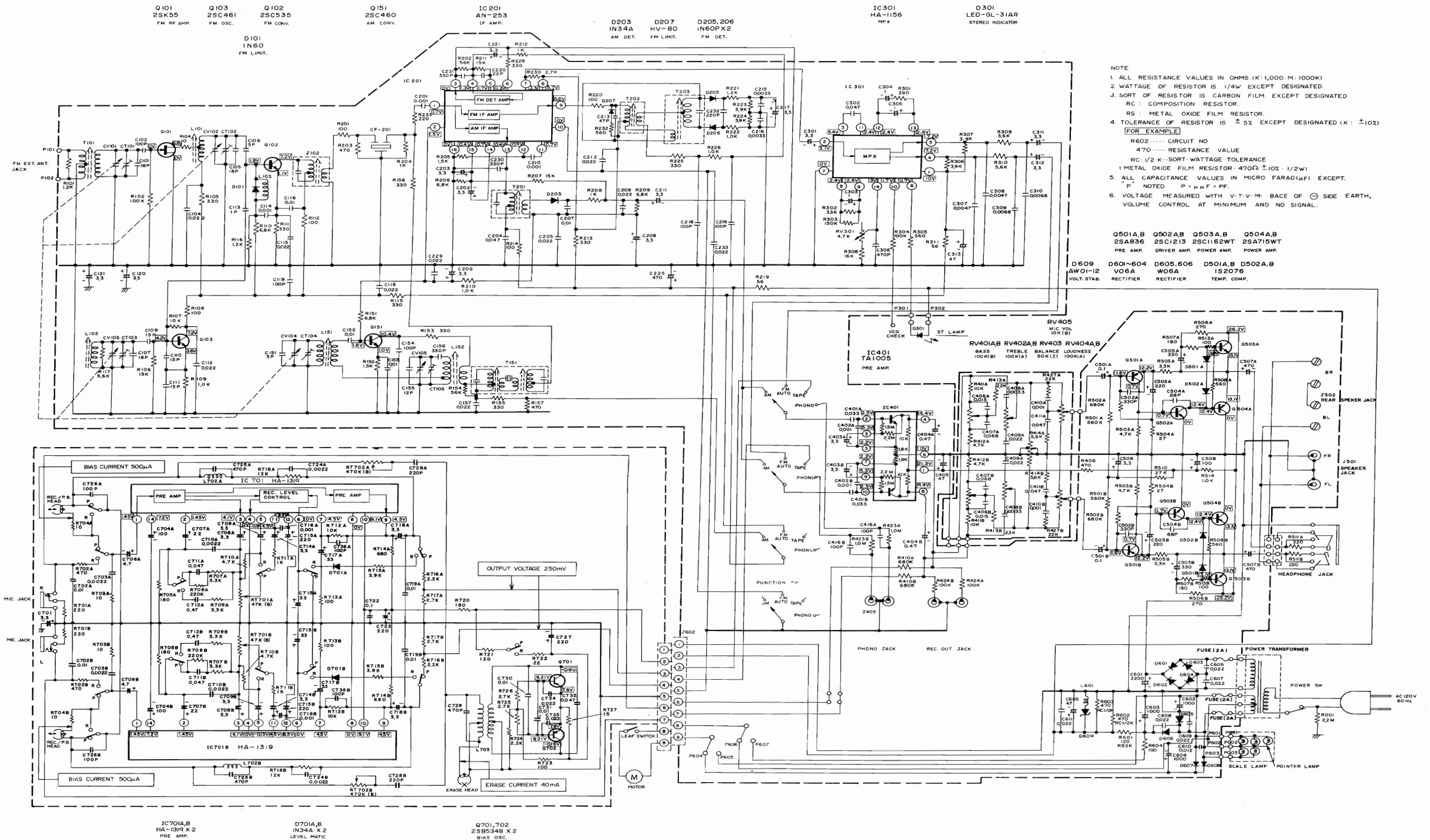


Fig. 15

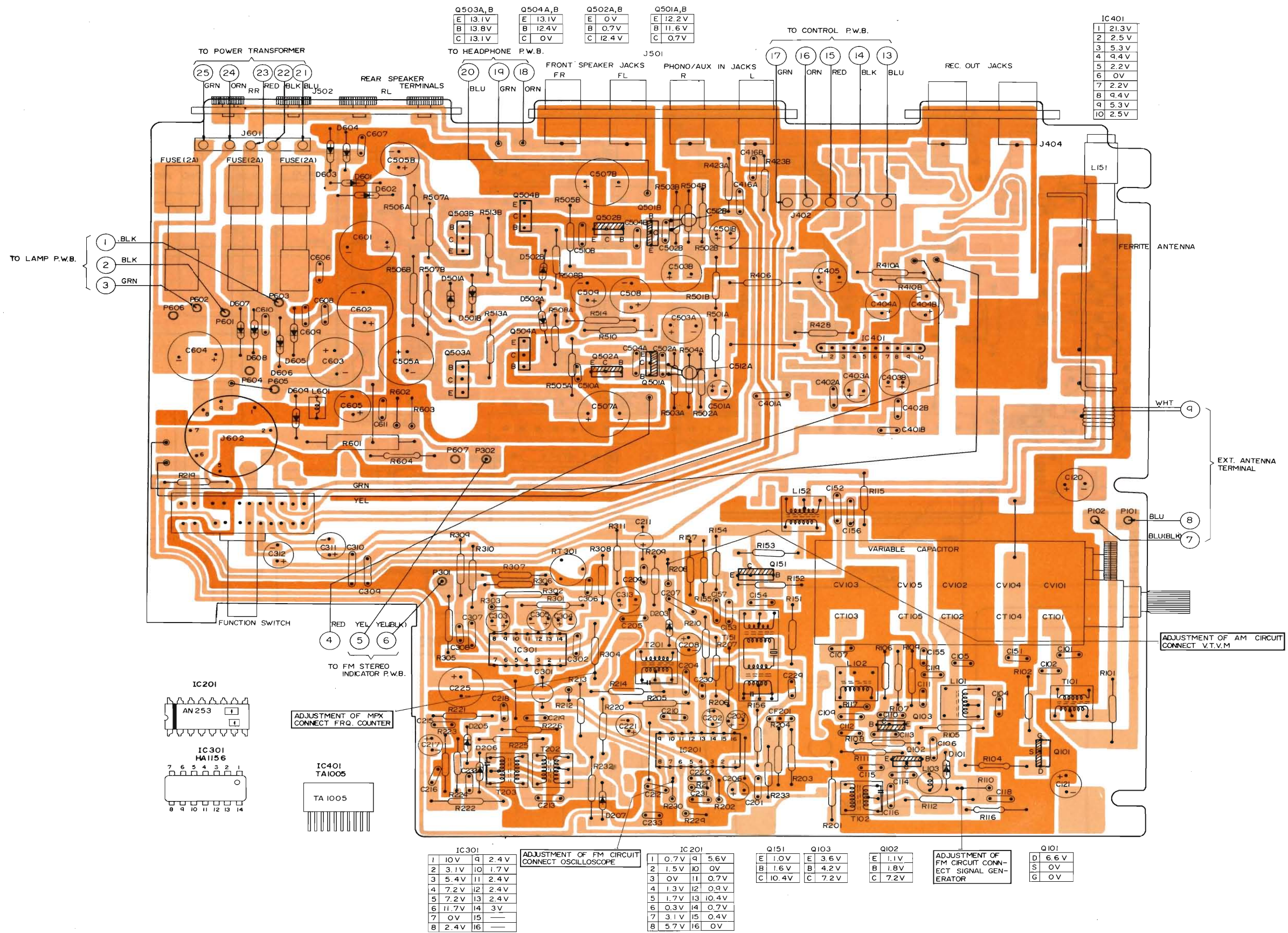
REPLACEMENT PARTS OF CAPACITOR

Symbol No.	Stock No.	Description	Symbol No.	Stock No.	Description
CAPACITORS:					
C 001	0244173	Ceramic, disc 0.022µF±80% 20%	C 231	0248736	Ceramic, disc 330pF±10%
C 101	0248666	Ceramic, disc 18pF±5%	C 232	0248732	Ceramic, disc 220pF±10%
C 102	0248724	Ceramic, disc 100pF±10%	C 233	0244173	Ceramic, disc 0.022µF±80% 20%
C 104	0244173	Ceramic, disc 0.022µF±80% 20%	C 301	0252613	Electrolytic 3.3µF
C 105	0248666	Ceramic, disc 18pF±5%	C 302	0275115	Mylar 0.047µF±20%
C 106	0248645	Ceramic, disc 5pF±0.5pF	C 303	0252611	Electrolytic 1µF
C 107	0248376	Ceramic, disc 18pF±10%	C 304	0252611	Electrolytic 1µF
C 109	0246474	Ceramic, disc 15pF±10%	C 305	0252611	Electrolytic 1µF
C 110	0246474	Ceramic, disc 15pF±10%	C 306	0249537	Ceramic, disc 470pF±10%
C 111	0246474	Ceramic, disc 15pF±10%	C 307	0239432	Ceramic, disc 0.0047µF±20%
C 112	0244173	Ceramic, disc 0.022µF±80% 20%	C 308	0239432	Ceramic, disc 0.0047µF±20%
C 113	0248641	Ceramic, disc 1pF±0.5pF	C 309	0249743	Ceramic, disc 0.0068µF±20%
C 114	0248732	Ceramic, disc 220pF±10%	C 310	0249743	Ceramic, disc 0.0068µF±20%
C 115	0244173	Ceramic, disc 0.022µF±80% 20%	C 311	0252613	Electrolytic 3.3µF
C 116	0249744	Ceramic, disc 0.01µF±20%	C 312	0252613	Electrolytic 3.3µF
C 118	0244173	Ceramic, disc 0.022µF±80% 20%	C 313	0252525	Electrolytic 47µF
C 119	0248732	Ceramic, disc 220pF±10%	C 401AB	0275114	Mylar 0.033µF±20%
C 120	0252613	Electrolytic 3.3µF	C 402AB	0239428	Ceramic, disc 0.001µF±20%
C 121	0252613	Electrolytic 3.3µF	C 403AB	0252613	Electrolytic 3.3µF
C 151	0248645	Ceramic, disc 5pF±0.5pF	C 404AB	0256517	Electrolytic 0.47µF
C 152	0249744	Ceramic, disc 0.01µF±20%	C 405	0252625	Electrolytic 47µF
C 153	0249744	Ceramic, disc 0.01µF±20%	C 406AB	0275113	Mylar 0.022µF±20%
C 154	0248724	Ceramic, disc 100pF±10%	C 407AB	0256527	Electrolytic 0.1µF
C 155	0248662	Ceramic, disc 12pF±5%	C 408AB	0249741	Ceramic, disc 0.0033µF±20%
C 156	0248736	Ceramic, disc 330pF±10%	C 409AB	0275114	Mylar 0.033µF±20%
C 157	0244173	Ceramic, disc 0.022µF±80% 20%	C 410AB	0249738	Ceramic, disc 0.001µF±20%
C 201	0249738	Ceramic, disc 0.001µF±20%	C 411AB	0275115	Mylar 0.047µF±20%
C 202	0252613	Electrolytic 3.3µF	C 416AB	0239143	Ceramic, disc 100pF±10%
C 203	0252613	Electrolytic 3.3µF	C 501AB	0256527	Electrolytic 0.1µF
C 204	0275115	Mylar 0.047µF±20%	C 502AB	0239149	Ceramic, disc 330pF±10%
C 205	0244173	Ceramic, disc 0.022µF±80% 20%	C 502AB	0239143	Ceramic, disc 100pF±10%
C 206	0252613	Electrolytic 3.3µF	C 503AB	0252632	Electrolytic 220µF
C 207	0249744	Ceramic, disc 0.01µF±20%	C 504AB	0239141	Ceramic, disc 68pF±10%
C 208	0232613	Electrolytic 3.3µF	C 505AB	0252533	Electrolytic 330µF
C 209	0244173	Ceramic, disc 0.022µF±80% 20%	C 507AB	0256008	Electrolytic 470µF
C 210	0248724	Ceramic, disc 100pF±10%	C 508	0252613	Electrolytic 3.3µF
C 211	0252613	Electrolytic 3.3µF	C 509	0252631	Electrolytic 100µF
C 212	0244173	Ceramic, disc 0.022µF±80% 20%	C 510AB	0239432	Ceramic, disc 0.0047µF±20%
C 213	0248716	Ceramic, disc 47pF±10%	C 512A,B	0248712	Ceramic, disc 330pF±10%
C 215	0249741	Ceramic, disc 0.0033µF±20%	C 601	0256112	Electrolytic 2200µF
C 216	0249741	Ceramic, disc 0.0033µF±20%	C 602	0256010	Electrolytic 1000µF
C 217	0252613	Electrolytic 3.3µF	C 603	0256010	Electrolytic 1000µF
C 218	0248724	Ceramic, disc 100pF±10%	C 604	0256003	Electrolytic 1000µF
C 219	0248724	Ceramic, disc 100pF±10%	C 605	0252525	Electrolytic 47µF
C 220	0248668	Ceramic, disc 22pF±5%	C 606	0239405	Ceramic, disc 22000pF±80% 20%
C 221	0252613	Electrolytic 3.3µF	C 607	0239405	Ceramic, disc 22000pF±80% 20%
C 225	0252535	Electrolytic 470µF	C 608	0239405	Ceramic, disc 22000pF±80% 20%
C 229	0244173	Ceramic, disc 0.022µF±80% 20%	C 609	0239405	Ceramic, disc 22000pF±80% 20%
C 230	0248736	Ceramic, disc 330pF±10%	C 610	0239405	Ceramic, disc 22000pF±80% 20%
			C 611	0275113	Mylar 0.022µF±20%
			C 718AB	0252613	Electrolytic 3.3µF
			C 719AB	0275112	Mylar 0.015µF±20%
			C 722AB	0276111	Mylar 0.1µF±20%
			C 723AB	0252332	Electrolytic 220µF
			C 724AB	0274013	Mylar 0.0022µF±10%
			C 725AB	0249521	Ceramic, disc 470pF±10%
			C 726AB	0248724	Ceramic, disc 100pF±10%
			C 727AB	0252332	Electrolytic 220µF

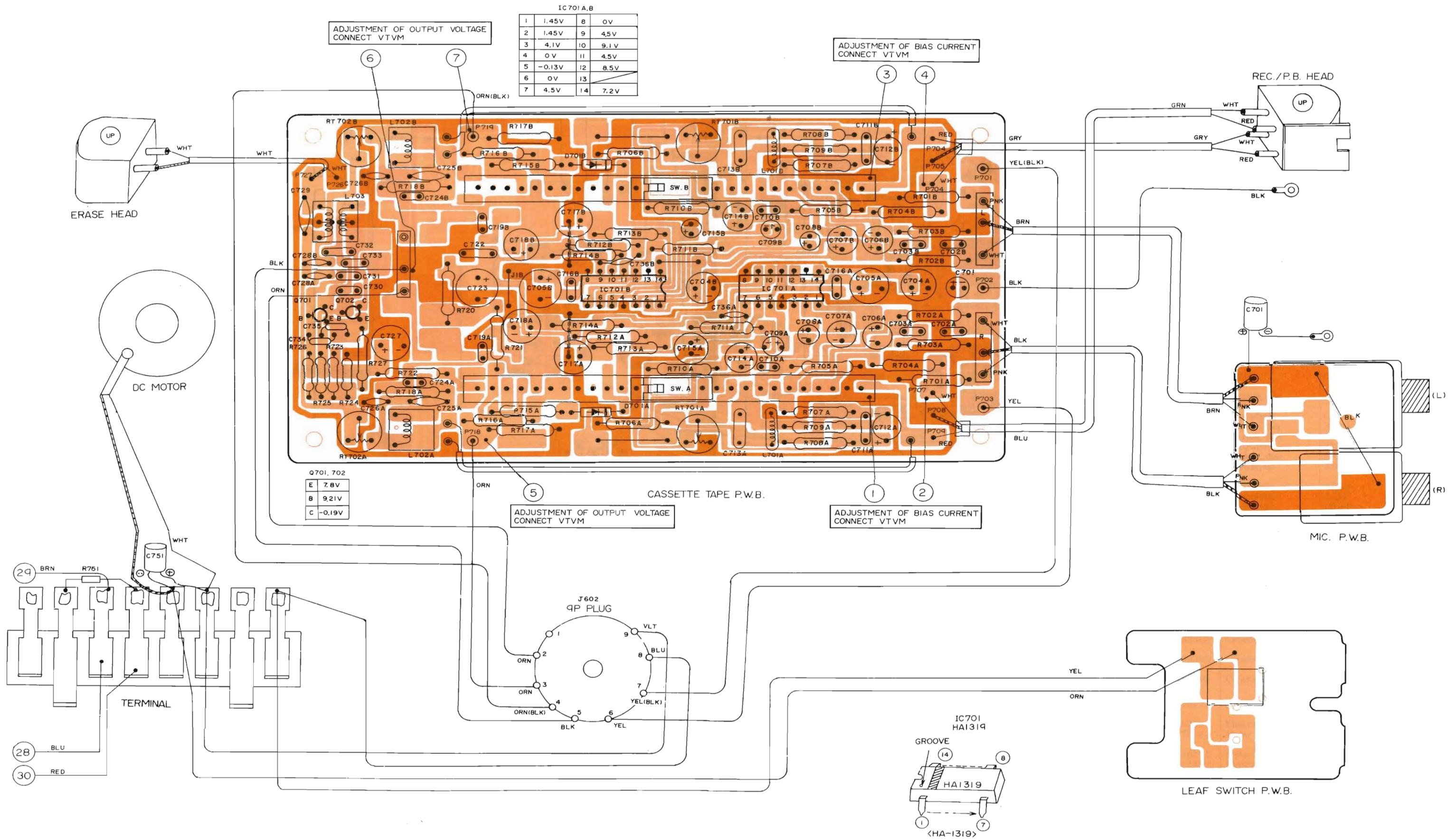
SCHEMATIC DIAGRAM



CIRCUIT BOARD DIAGRAM OF MAIN P.W.B



CIRCUIT BOARD DIAGRAM OF CASSETTE TAPE DECK



IC701A,B

1	1.45V	8	0V
2	1.45V	9	4.5V
3	4.1V	10	9.1V
4	0V	11	4.5V
5	-0.13V	12	8.5V
6	0V	13	
7	4.5V	14	7.2V

ADJUSTMENT OF OUTPUT VOLTAGE
CONNECT VTVM

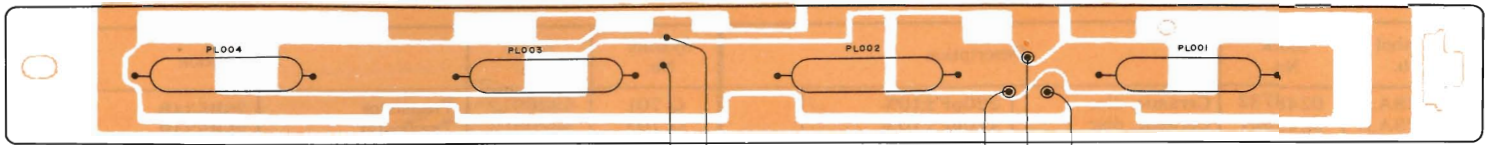
ADJUSTMENT OF BIAS CURRENT
CONNECT VTVM

Q701, 702

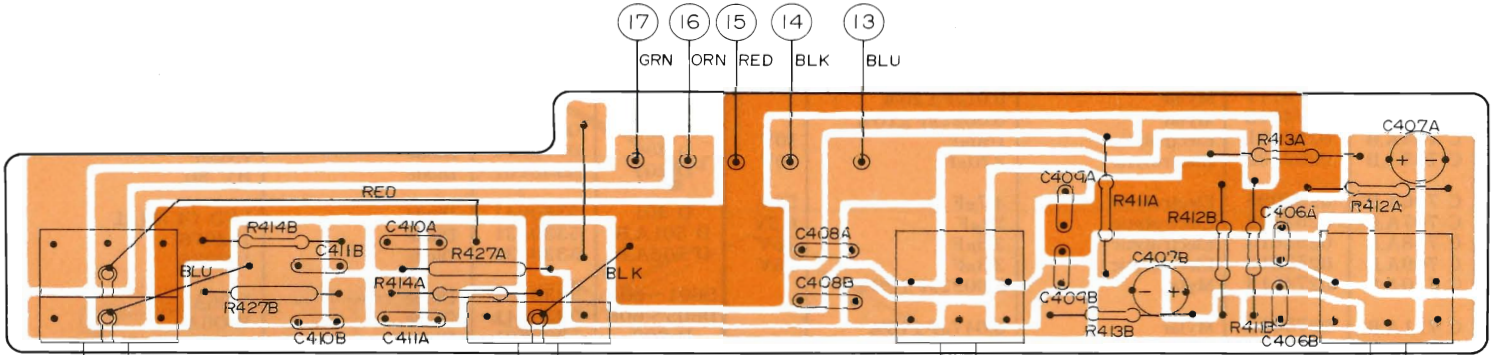
E	7.8V
B	9.21V
C	-0.19V

ADJUSTMENT OF OUTPUT VOLTAGE
CONNECT VTVM

ADJUSTMENT OF BIAS CURRENT
CONNECT VTVM



LAMP P. W. B.



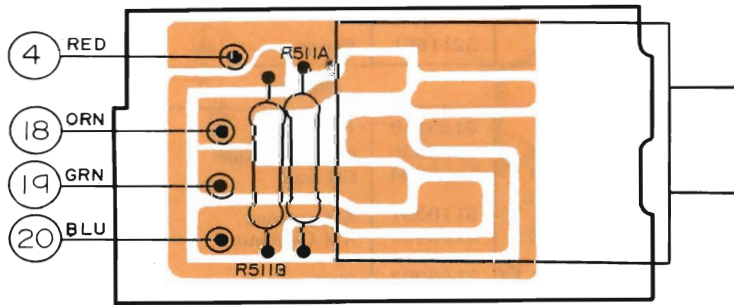
CONTROL P. W. B.

RV404A,B
LOUDNES

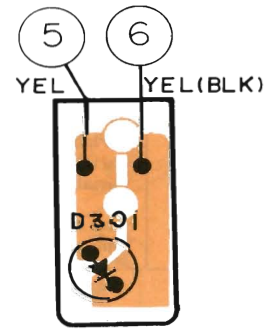
RV403
BALANCE

RV402A,B
TREBLE

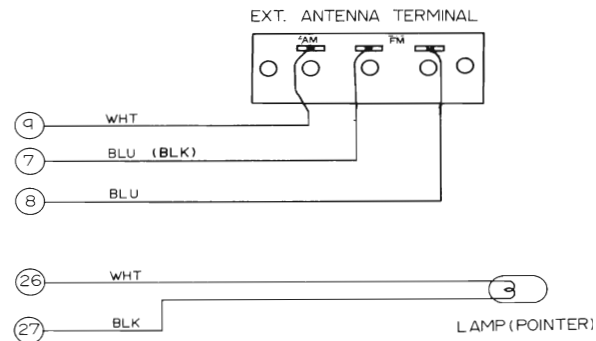
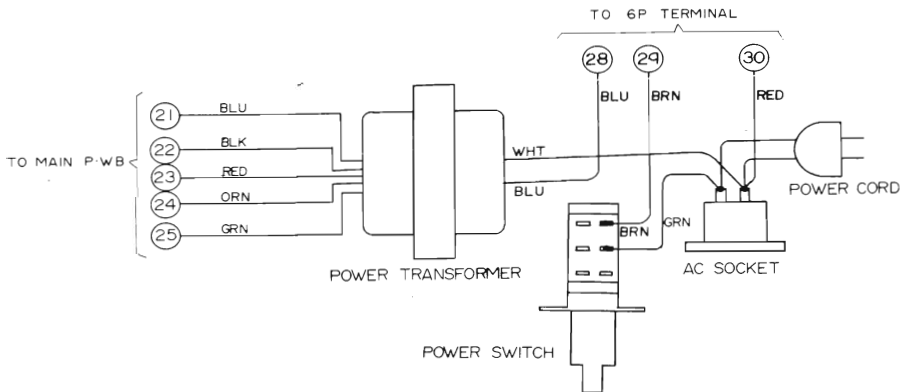
RV401A,B
BASS



HEADPHONE P. W. B.



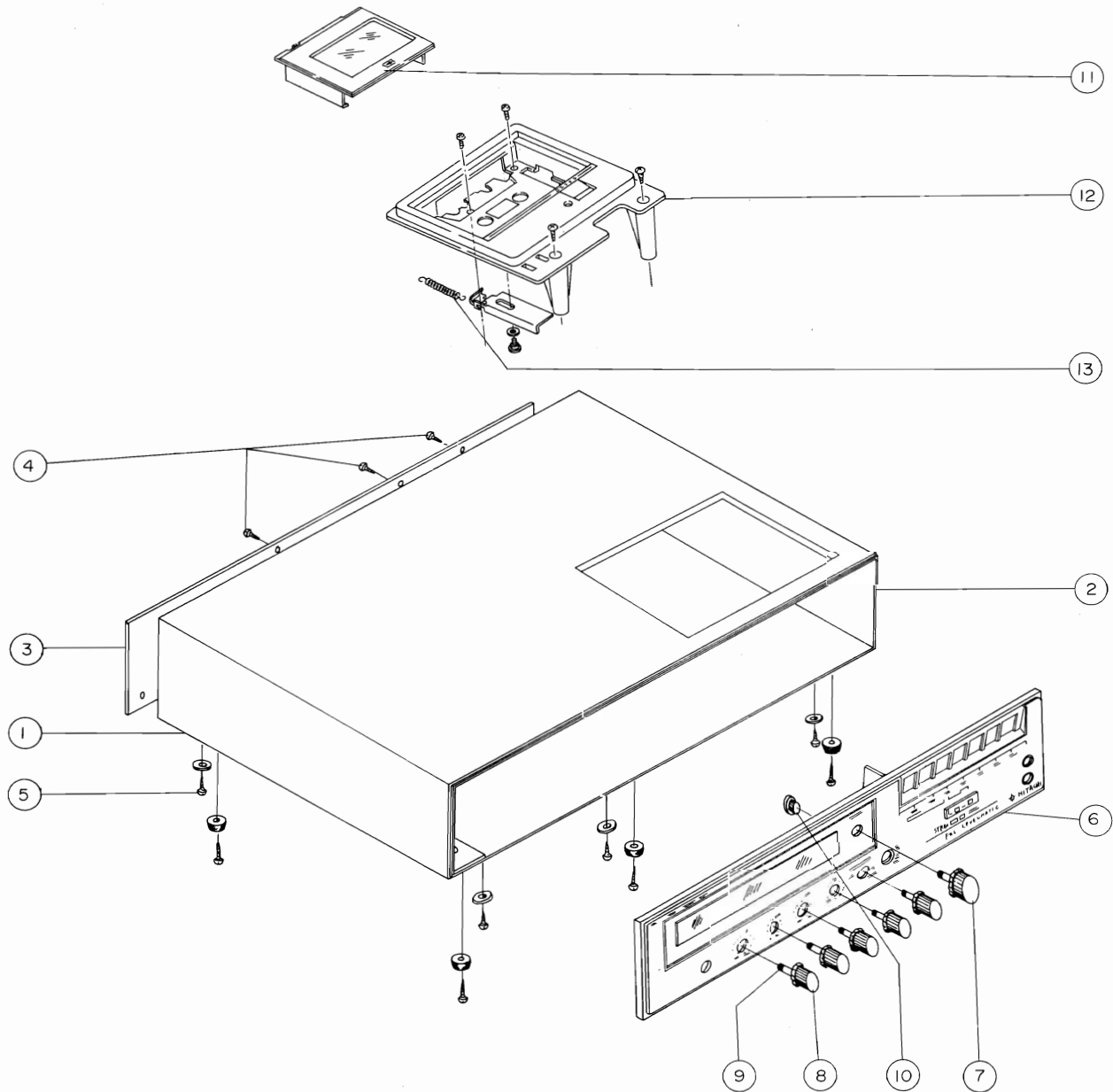
FM STEREO INDICATOR



REPLACEMENT PARTS OF CAPACITOR, RESISTOR, SEMICONDUCTOR, COIL

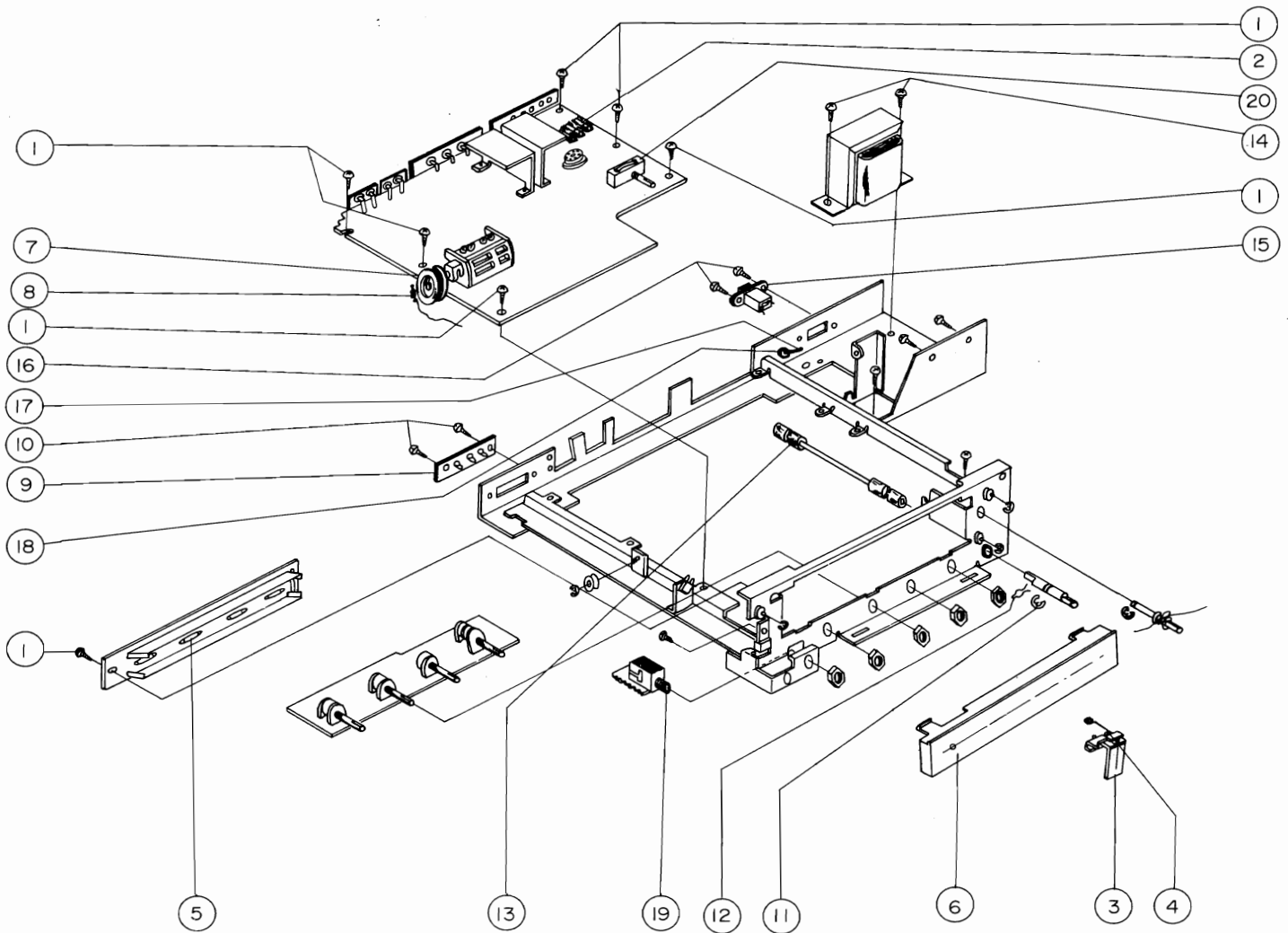
Symbol No.	Stock No.	Description		Symbol No.	Stock No.	Description
C 728A,B	0248732	Ceramic, disc	220pF±10%	Q 701	5320912	Transistor
C 729A,B	0249521	Ceramic, disc	470pF±10%	Q 702	5320912	Transistor
C 730	0275111	Mylar	0.01μF±20%			2SB534B 2SB534B
C 731	0275111	Mylar	0.01μF±20%	CF 201	5160212	Ceramic filter
C 732	0275015	Mylar	0.047μF±10%	IC 201	5351061	IC
C 733	0275112	Mylar	0.015μF±20%	IC 301	5351073	IC
C 734	0275013	Mylar	0.022μF±10%	IC 401	5356161	IC
C 735	0275013	Mylar	0.022μF±10%	IC 701A,B	5350211	IC
C 736A,B	0248724	Ceramic, disc	100pF±10%	D 101	0575019	Diode
C 701	0252613	Electrolytic	3.3μF	D 203	0575001	Diode
C 702A,B	0275111	Mylar	0.01μF±20%			1N60P 1N34A
C 703A,B	0274013	Mylar	0.0022μF±10%	D 205	0575019	Diode
C 704A,B	0252331	Electrolytic	100μF	D 206	0575019	Diode
C 705A,B	0252332	Electrolytic	220μF	D 207	5330261	Diode
C 706A,B	0256095	Electrolytic	4.7μF	D 301	5380041	Diode
C 707A,B	0252222	Electrolytic	22μF	D 501A,B	5330131	Diode
C 708A,B	0252613	Electrolytic	3.3μF	D 502A,B	5330131	Diode
C 709A,B	0252613	Electrolytic	3.3μF	D601~604	5330104	Diode
C 710A,B	0274113	Mylar	0.0022μF±20%	D605~608	5330341	Diode
C 711A,B	0275015	Mylar	0.047μF±10%	D 609	5330601	Diode
C 712A,B	0257040	Electrolytic	0.47μF			LED-GL-31AL 1S2076 1S2076
C 713A,B	0275016	Mylar	0.068μF±10%	D 701A,B	0575001	Diode
C 714A,B	0252613	Electrolytic	3.3μF			VO6A WO6A AWO1-12
C 715A,B	0252223	Electrolytic	33μF			1N34A
C 716A,B	0274111	Mylar	0.001μF±20%	TRANSFORMERS:		
C 717A,B	0252223	Electrolytic	33μF	T 101	5123348	FM ANTENNA
CV101~105	5050511	Variable		T 102	0329605	FM IFT
CT101~105	5050511	Variable		T 151	5160021	AM IFT
RESISTORS:				T 201	0322118	AM IFT
RT 301	0151885	Semi Variable		T 202	5148041	FM Discriminator
RV 401A,B	0151445	Variable	100kΩ(B)	T 203	5148042	FM Discriminator
RV 402A,B	0151444	Variable	100kΩ(A)	T 601	5211661	Power
RV 403	0151461	Variable	50kΩ(Z)	COILS:		
RV 404A,B	0151464	Variable	100kΩ(B)	L 101	5123119	FM RF
RT 701A,B	0151888	Semi variable		L 102	5123355	FM Oscillator
RT 702A,B	0151891	Semi variable		L 103	5152004	FM trap
SEMI-CONDUCTOR				L 151	5110391	AM antenna
Q 101	5320941	Transistor	2SK55	L 152	5120461	AM Oscillator
Q 102	0573511	Transistor	2SC535C	L 601	5152003	Choke
Q 103	0573508	Transistor	2SC461C	L 701A,B	0333151	Choke
Q 151	0573487	Transistor	2SC460C	L 702A,B	5120303	Choke
Q 501A,B	5321101	Transistor	2SA836D	L 703A,B	5260054	Bias oscillator
Q 502A,B	5320613	Transistor	2SC1213C			
Q 503A,B	5320643	Transistor	2SC121			
Q 504A,B	5320723	Transistor	2SA715WT			

EXPLODED VIEW OF CABINET



Index No.	Stock No.	Description	Index No.	Stock No.	Description
①	6154471	Cabinet	⑧	6280742	Knob (VOLUME, BASS, TREBLE, BALANCE, FUNCTION)
②	6154485	Bottom plate	⑨	6310162	Spring washer for knob mounting
③	6192075	Rear cover	⑩	6258813	Push button (POWER)
④	8788412	Bind tapping screw 3mm φ×12mm for Rear cover mounting	⑪	6090381	Cassette lid assembly
⑤	8651616	Screw with washer 4mm φ×16mm for cabinet mounting	⑫	6219221	Cassette panel assembly
⑥	6218961	Front panel assembly	⑬	6300232	Spring for cassette lid
	8781438	Tapping screw 3mm φ×8mm		8651610	Screw with washer 4mm φ×10mm
	8815114	Locking washer 3mm φ for front panel mounting		8781438	Tapping screw 3mm φ×8mm for chassis, and deck mounting
⑦	6280732	Knob (TUNING)		LA6500101	SPEAKER BOX (WITH GRILL CLOTH)
				LA6502081	GRILL CLOTH ASSEMBLY

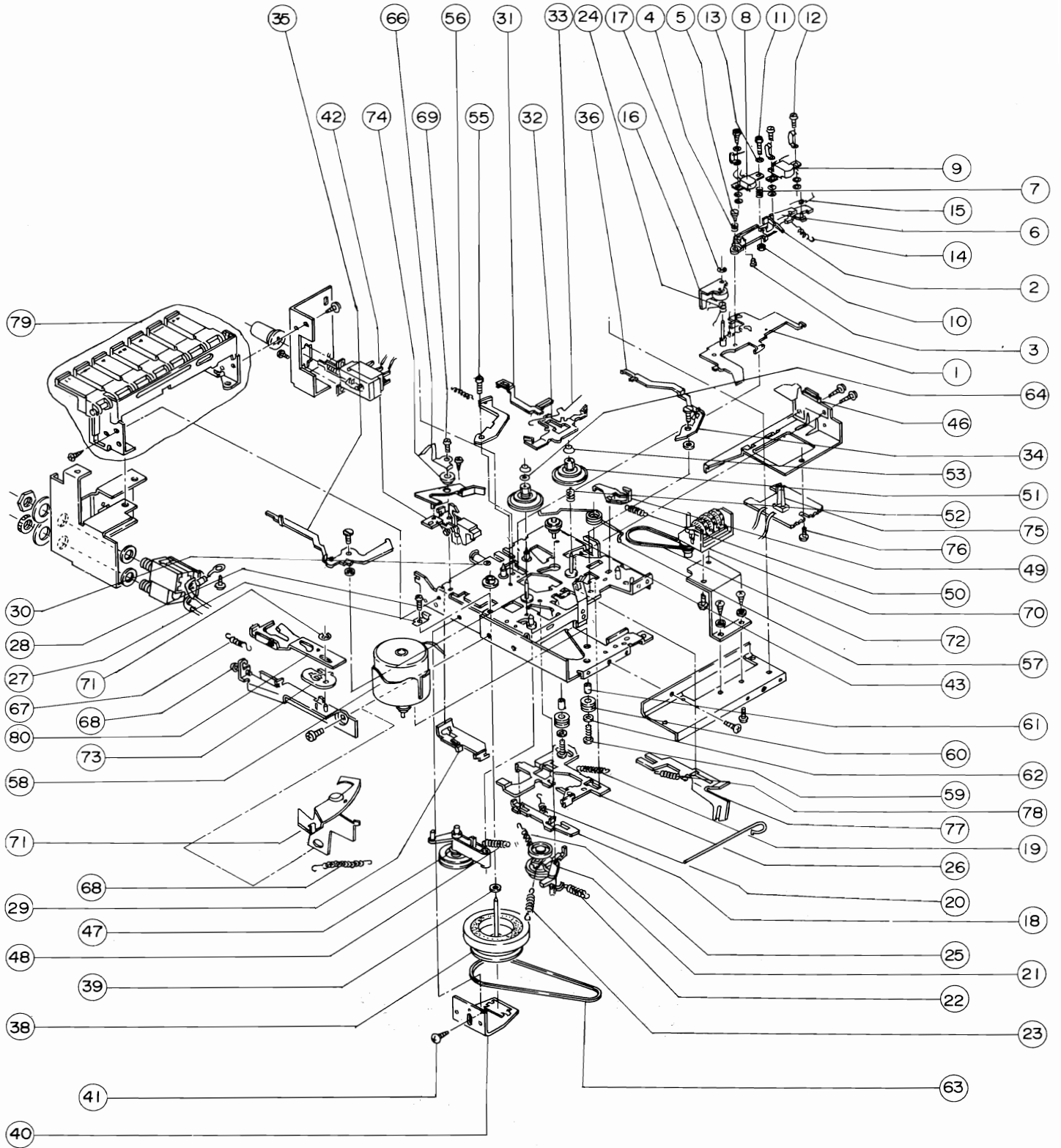
EXPLODED VIEW OF MAIN CHASSIS



REPLACEMENT PARTS OF MAIN CHASSIS

Index No.	Stock No.	Description	Index No.	Stock No.	Description
①	8781438	Tapping screw $3\text{mm}\phi\times 8\text{mm}$ (13req'd) MAIN, TONE, P.W.B and LAMP P.W.B mounting	⑮	5651451	AC Socket
②	0591138	Fuse 2A	⑯	8781438	Tapping screw $3\text{mm}\phi\times 8\text{mm}$ (2req'd) for AC socket mounting
③	6398111	Pointer	⑰	5746304	Power cord
④	5762035	Pointer lamp	⑱	0043793	Bushing
⑤	5765011	Lamp (4req'd) scale plate illumination		7444091	Clip antenna
⑥	6470141	Scale plate	for P.W.B assembly		
⑦	6342945	Pulley	⑲	5671631	Headphone jack
⑧	6316233	Spring		5671144	Mic jack
⑨	5680771	Antenna terminal board		5674032	Mic jack
⑩	8781438	Tapping screw $3\text{mm}\phi\times 8\text{mm}$ (2req'd) for antenna terminal board mounting		6704271	Shield washer
⑪	7230903	Ering		5621191	Slide switch
⑫	6309221	Clip		6323141	Spring clip
⑬	6724792	Joint for function shaft	⑳	5613072	Slide rotary switch
⑭	8781636	Tapping screw $4\text{mm}\phi\times 6\text{mm}$ (2req'd) for transformer mounting	J 501	5676082	4P Pin connector
			J 502	5676081	2P Pin connector
			J 602	5686021	4P Terminal board
				5650971	9P Connector socket

EXPLODED VIEW OF CASSETTE DECK CHASSIS



REPLACEMENT PART OF CASSETTE DECK

Index No.	Stock No.	Description	Index No.	Stock No.	Description
①	7269394	Head plate assembly	⑤①	6322661	Spring
②	7159551	Pick up arm assembly	⑤②	7667663	Turntable assembly
③	7564122	Pin	⑤③	6320731	Back tension spring
④	6303452	Spring	⑤④	0930002	Cap
⑤	7537581	Pin	⑤⑤	7159541	Lock lever
⑥	6731823	Head stand	⑤⑥	7535185	Pin
⑦	6321191	Spring	⑤⑦	6303075	Spring
⑧	5441441	Record playback head	⑤⑧	6306302	Spring
⑨	5445061	Erase head	⑤⑨	5572201	DC motor
⑩	8821231	Nut-2mmφ	⑥①	0711309	Pan head screw 2.6mmφ×9mm (2req'd) for motor mounting
⑪	7780554	Screw (adjustment screw)	⑥②	7669151	Rubber bush
⑫	8784135	Bind Tapping screw 2mmφ×5mm	⑥③	7515513	Collar
⑬	8811111	Washer 2mmφ	⑥④	8811113	Washer 2.6mmφ for DC motor mounting
⑭	6324432	Spring	⑥⑤	6350621	Belt
⑮	6306583	Spring	⑥⑥	0948831	Polyester washer
⑯	6383051	Pressure roller assembly	⑥⑦	7153955	Eject assembly
⑰	7778395	Ering	⑥⑧	6327651	Spring
⑱	7159503	Switch slider	⑥⑨	6300301	Spring
⑲	6323063	Spring	⑦①	6322071	Spring
⑳	6300451	Spring	⑦②	8641408	Bind head screw 3mmφ×8mm (1req'd) for button spring mounting
㉑	6411732	Pulley assembly	⑦③	5551702	Counter
㉒	6300443	Spring	⑦④	8641408	Bind head screw 3mmφ×8mm (1req'd) for pause slider mounth mounting
㉓	6300401	Spring	⑦⑤	7230902	Ering
㉔	6306614	Spring	⑦⑥	6351024	Counter belt
㉕	6323063	Spring	⑦⑦	6725701	Pause lock piece
㉖	7269402	Brake function plate	⑦⑧	7530631	Pause pin
㉗	7264091	Head plate guide	⑦⑨	5603061	Leaf switch
㉘	8711406	Pan head screw 3mmφ×6mm	⑧①	8711408	Pan head screw 3mmφ×8mm (1req'd) for switch P.W.B assembly mounting
㉙	7239791	Eject function plate		5680981	6P terminal board
㉚	7771912	Nylon washer		8781438	Tapping screw 3mmφ×8mm (2req'd) for 4P terminal board, and 6P terminal board mounting
㉛	7159521	Brake plate		7777617	Spacial screw
㉜	7271882	Brake function plate		8641408	Bind head forming tightening screw 3mmφ×8mm (2req'd) for P.W.B holder mounting
㉝	6329382	Spring	⑧②	7249902	Record function plate
㉞	7264332	Cue lever (left)	⑧③	6320171	Spring
㉟	7264323	Cue lever (right)	⑧④	6255123	Cassette button assembly
㊱	7263814	Cue slider (left)	⑧⑤	7273831	Pause slider assembly
㊲	7263823	Cue slider (right)		0958453	Washer for jack
㊳	6372134	Flywheel assembly			
㊴	7778183	Polyester washer			
④①	7239823	Supporting plate assembly			
④②	7773171	Bolt 3mmφ×6mm for supporting plate assembly mounting			
④③	7158015	Eject assembly			
④④	6381061	Idler assembly			
④⑤	8641408	Bind head screw 3mmφ×8mm for eject arm mounting			
④⑥	6731852	Lever			
④⑦	6586022	Rubber			
④⑧	6327251	Holder			
④⑨	6721834	Take up arm assembly			
⑤①	6321684	Spring			
⑤②	7159531	Recording prevention plate			



Head Office : 5-1. 1 chome. Marunouchi, Chiyoda-ku, Tokyo
Tel. Tokyo (212) 1111 (80 lines)

Cable Address : *HITACHY* TOKYO

Codes : All Codes Used

Printed in Japan
May '75 (K)